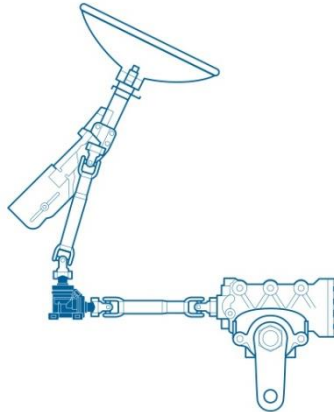




BEVEL BOX

FOR BUS STEERING SYSTEM
HIGH STEERING ACCURACY
DIRECT & REVERSE TYPE

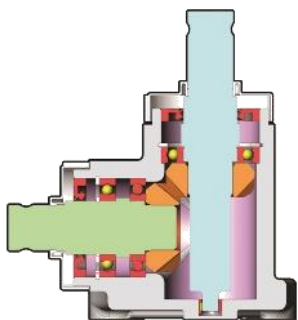


Specifications:

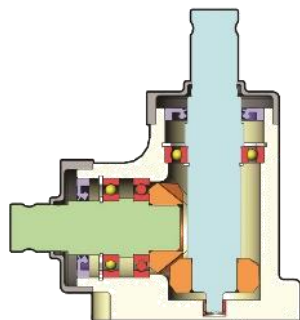
RATIO	1:1
OPERATION TEMPERATURE	-40 °C/80 °C
LUBRICATION	GREASE FILL
WEIGHT (A1. HOUSING)	5.6 Kg
BEVEL BOX SHAFT ANGLE	90°

Bevel boxes are used on vehicles where a direct connection to the steering column is not possible due to the arrangement of the steering gear.

- In direct type, when the input shaft rotates in clockwise direction, the output shaft rotates in clockwise direction.
- In reverse type, when the input shaft rotates in clockwise direction, the output shaft rotates in counterclockwise direction.



DIRECT TYPE



REVERSE TYPE

