

PICK UP / VAN

The Powerful 4 & 5 speed
Synchromesh transmission

For applications: pick up & vans



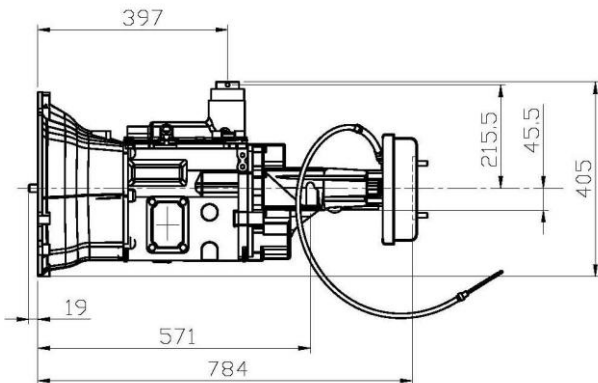
Features:

- Four optimally spaced gear ratios.
- Reliable shifts thanks to optimized synchronizers.
- With / Without Park Brake
- Housing Material: Cast iron
- With Availability to pto installation.

Technical Specifications:

Vehicle type	Transmission type	Product No.	Input torque	Ratio spread	No.of gears	Installation Dimensions	Oil Capacity	Mass/ Weight*
NISSAN PICK UP- 4 SPEED	SCGB 200 4V / CH S4 -19	32010 J1551	200	5.43 -1.00; R6.54	4	784	2.7	70
NISSAN PICK UP- 5 SPEED- DIESEL	SCGB 200 5VO	C1N8 050 206	220	5.43 -078; R6.54	5	779	2.7	75
PADRA PICK UP- 5 SPEED	CH S5-220	C1N6 050 209	200	5.43 - 078; R6.54	5	784	2.7	76
CARVAN- VAN 5 SPEED	CH S5 -190	32050 7AO	190	4.22 - 082; R4.62	5	784	2.7	76

Installation dimensions: 5speed PADRA



5speed DIESEL

